



HAC 2000

Dust Control System for Road Milling Machines

- Option Dust Collector



**Heavy duty hydraulically powered dust control systems,
designed for improved working conditions in the
construction and mining industry**

HAC 2000

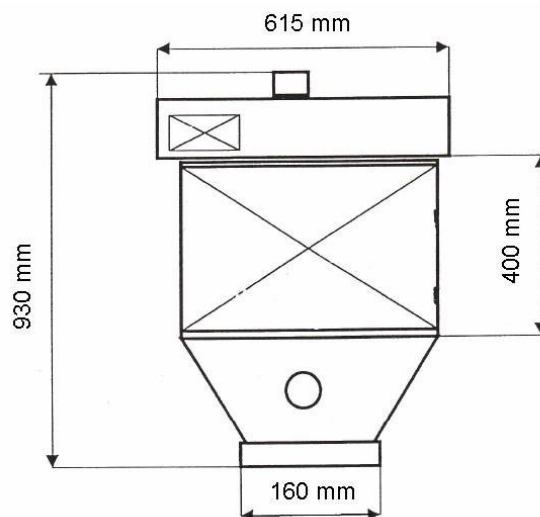
- Option Dust Collector

The ILMEG HAC 2000 dust collector system is used on asphalt milling machines to improve the working conditions with regards to dust control.

This option, Dust Collector, consists of an hydraulically driven Dust Collector specially designed for road milling machines. The filter cassette is made of steel and needs to be cleaned once per shift to retain the suction capacity.

The dust collected from the milling area from the machine is collected in a bag situated below the dust collector.

The ILMEG dust collectors are continuously improved and built of high quality components to ensure the highest added value to our customers.



The dust collector

Technical Data	
Motor hydraulic	Parker F 11/5
Fan type	HCB - 12
Filter type	Special steel filter
Number of filters	1 washable steel cassette filter
Oil volume to fan motor inlet	25 l/min at 5000rpm
Oil working pressure	200 Bar
Weight	90 kg
Height	930 mm
Width	460 mm
Depth	460 mm
Fan house diameter	615mm